

VZ.Voice™ VoWi-Fi with AEC Reference Design



OVERVIEW

Voice over Wi-Fi in dual-mode cell phones is the fastest growing segment in VoIP deployment. A single device that provides service for voice communications in the home, mobile and enterprise environments is fueling the adding of VoWi-Fi to cell phones. This type of phenomenal growth requires Take-To-Market reference designs that are cost-effective and time-efficient for ODM's to quickly integrate with their GSM and CDMA cellular phones.

VZ.Voice VoWi-Fi with AEC Reference Design

VZ.Voice VoWi-Fi is a Voice-Over-Wi-Fi reference design with integrated Acoustic Echo Canceller (AEC) for speakerphone applications and with built in noise reduction. The VZ.Voice VoWi-Fi software package has integrated G.711, and G.729AB voice codecs along with AEC. The reference design has also integrated drivers for Analog Audio Codec.

The architecture of adding VoWi-Fi to cell phones may vary depending on the 3G baseband chip function and interfaces available. The reference board has a VSI403US reference silicon, an integrated audio codec stereo in/out and two microphone inputs. The board also has an integrated USB controller with JTAG/HPI interfaces.

APPLICATIONS

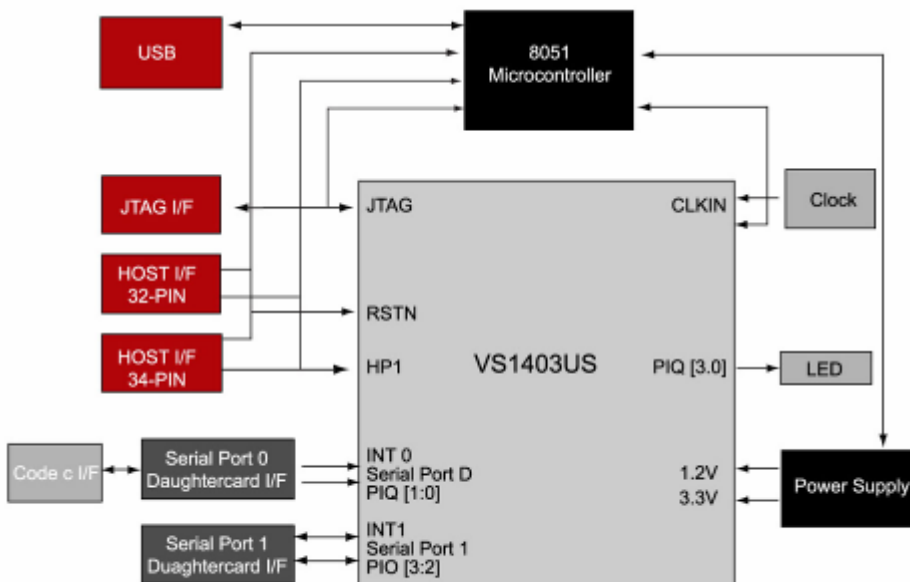
- Voice over Wireless LAN , IP Phones

FEATURES

- line-in / line-out
- G.711, G.729AB VoIP Codecs
- Acoustic Echo Canceller with Noise Reduction
- Integrated Analog Audio Codec
- Driver source for Integration

VALUE PROPOSITION

- Ease of Integration into Cell Phones
- Fits within 48KW of On-Chip SRAM of VSI403US
- Integrated Acoustic Echo Canceller for Speaker Phone function
- Noise reduction for mobile environments



Z.Voice VoWi-Fi Reference Design Board



VZ.Voice™ VoWi-Fi with AEC Reference Design

For more information please contact:

• US

VeriSilicon, Inc.
4699 Old Ironsides Dr., Suite 350
Santa Clara, CA 95054
Tel: +1 408 844 8560
Fax: +1 408 844 8563
E-mail: us-sales@verisilicon.com

VeriSilicon, Inc.

500North Central Expressway
Suite 430 Plano, Texas 75074
Tel: +1 972 244 5100
Fax: +1 972 244 5101
E-mail: us-sales@verisilicon.com

• China

VeriSilicon Microelectronics (Shanghai) Co., Ltd.
Building 1, No.200, Zhangheng Rd
Pudong New Area, Shanghai 201204
Tel: +86 21 51311118
Fax: +86 21 51311119

VeriSilicon Microelectronics (Beijing) Co., Ltd.

Rm A106, Information Center,
Zhongguancun Software Park
8 Dongbeiwang West Road,
Haidian District, Beijing 100193, P.R.C
Tel: +86 10 8282 5201
Fax: +86 10 8282 5201
E-mail: china-sales@verisilicon.com

• Taiwan

VeriSilicon Taiwan, Inc.
5F, No. 306, Sec.1., Neihu Road
Taipei 114, Wall Street Building, Taiwan.
Tel: +886 2 2656 2606
Fax: +886 2 2656 2604
E-mail: taiwan-sales@verisilicon.com

• Japan

VeriSilicon K.K.
The Imperial Tower, 8th floor
1-1-1 Uchisaiwaicho Chiyoda-ku
Tokyo, 100-0011 Japan
Tel: +81 3 3507 3005
Fax: +81 3 3507 3006
E-mail: japan-sales@verisilicon.com

• Europe

VeriSilicon, SARL
Les Algorithmes, Bat. Aristote A 2000 Route
des Lucioles 06901 Sophia Antipolis, France
Tel: +33 4 9294 4892
Fax: +33 4 9294 4882
E-mail: europe-sales@verisilicon.com

• Korea

VeriSilicon, Korea.
B-1201, The O superium 1, 3001-2,
Bangbae 4-dong, Seocho-gu Seoul, 137-064, Korea
Tel: +82 2 6409 4506
Fax: +82 2 6409 4501
E-mail: korea-sales@verisilicon.com

© 2006 VeriSilicon Holdings Co., Ltd. All rights reserved worldwide. VeriSilicon, the VeriSilicon logo, ZSP and the ZSP logo are the trademarks of VeriSilicon Holdings Co., Ltd. in the United States and/or other jurisdictions. All other trademarks are the property of their respective holders.

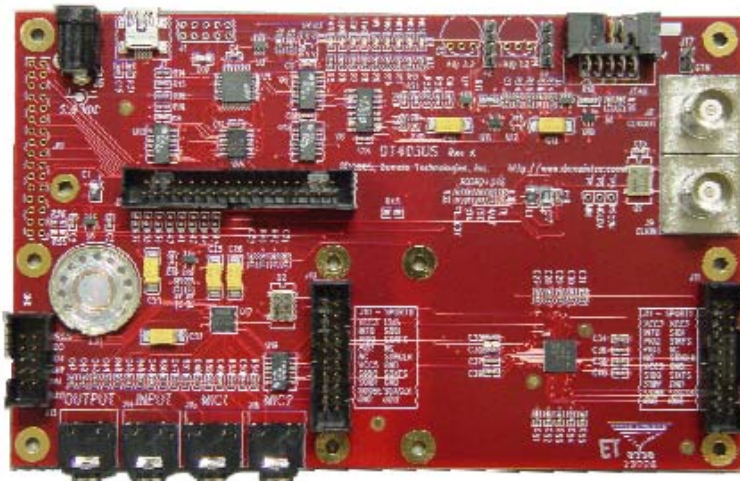


VZ.Voice - VoWiFi Package

- G.711, G.729AB, G.723.1, G.726 Codecs
- Acoustic Echo Canceller with Noise reduction
- Voice Activity Detection (VAD)
- Comfort Noise Generation (CNG)
- Packet Loss Concealment (PLC)

Host Side Software

- Example Linux ZSP driver is provided with Z.Voice software license source code
- RTP/JB Source available for licensing
- SIP Available for Licensing from Encore Software



About VeriSilicon

VeriSilicon Holdings Co., Ltd ("VeriSilicon") is a fast growing silicon solutions company providing products and services that enable customers to meet their chip design objectives, accelerate development programs and deliver market proven silicon products - on time and at lower cost. VeriSilicon specializes in providing expert design services, market leading ZSP® licensable cores and platforms, industry standard semiconductor IP and scalable ASIC turnkey services across a broad range of application markets, including multimedia, voice and wireless communications. VeriSilicon has design, operation and sales and support offices in Santa Clara, California, Dallas, Texas, Shanghai and Beijing, China, Taipei, Taiwan, Tokyo, Japan, Nice, France and Seoul, Korea. For more information, visit www.verisilicon.com.